

Volume  
of  
Rectangular  
Prisms







Find the volume.

A rectangular prism is 13 inches long, 5 inches wide, and 4 inches tall.

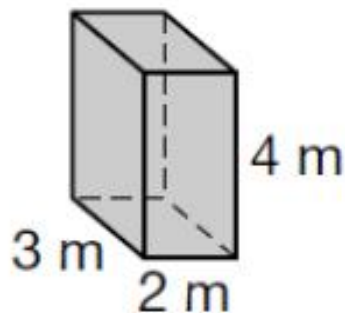


Find the volume.

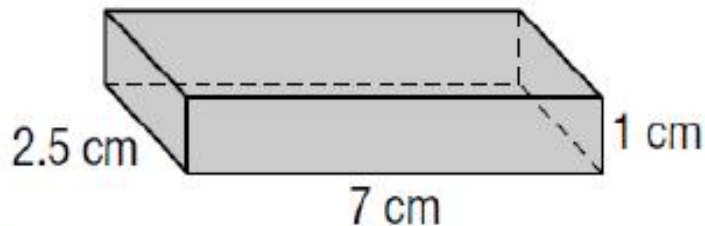
The height of a fish tank is 10 inches and the base measures 20 inches by 12 inches. What volume of water can the tank hold when full?



Find the volume.

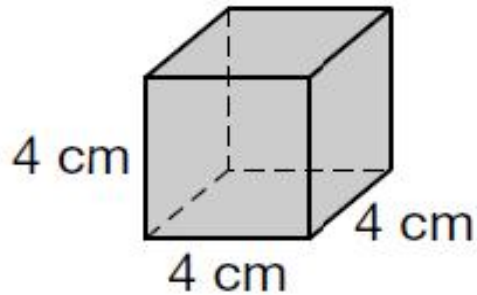


Find the volume.

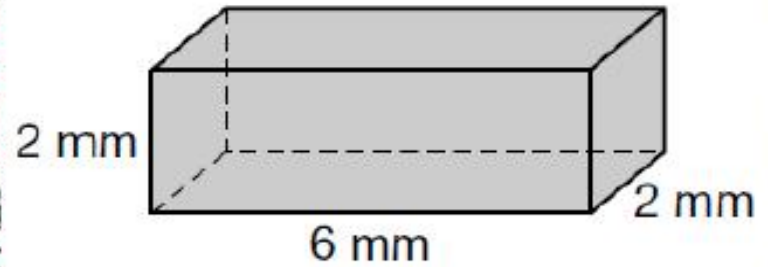




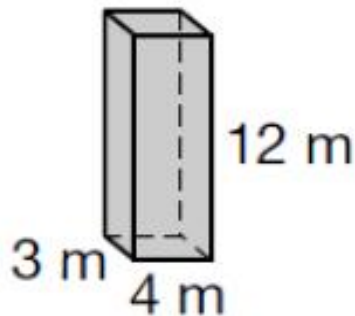
Find the volume.



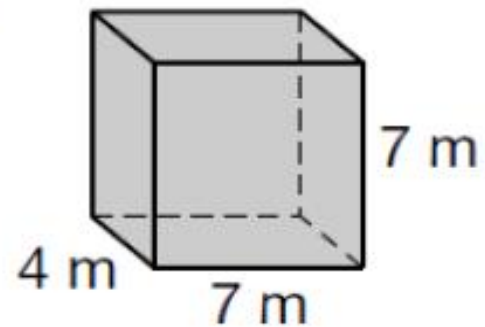
Find the volume.



Find the volume.



Find the volume.





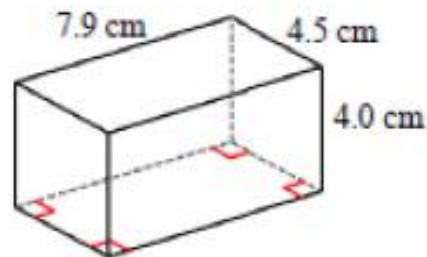
9

A 50-pound bag of peanuts is 2 feet by 4 feet by 1 foot. If a 50-cubic-foot space is available for storing the bags, how many can be stored?



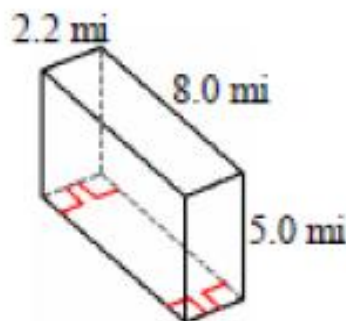
10

Find the volume.



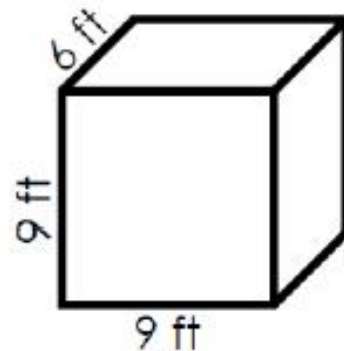
11

Find the volume.



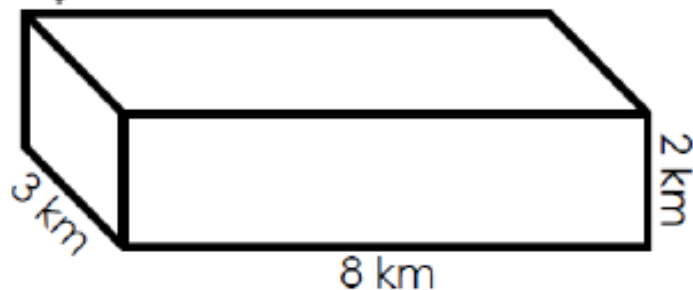
12

Find the volume.



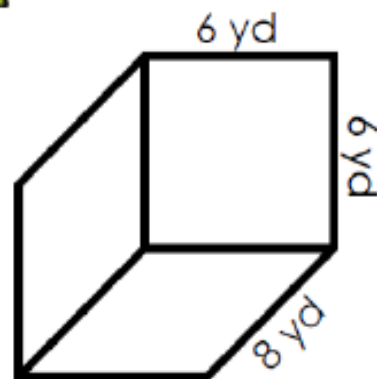
13

Find the volume.



14

Find the volume.



15

Find the volume  
of a rectangular  
prism with:

Length = 9m

Width = 7m

Height = 3m

16

Find the volume  
of a rectangular  
prism with:

Length = 12 mi

Width = 2 mi

Height = 3 mi





Find the volume  
of a rectangular  
prism with:

Length = 6 ft

Width = 4 ft

Height = 7 ft



Find the volume  
of a rectangular  
prism with:

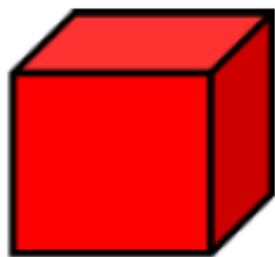
Length = 16 ft

Width = 4 ft

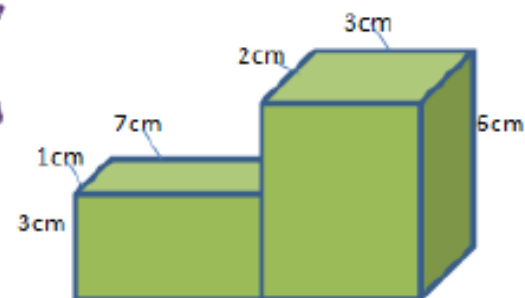
Height = 5 ft



Find the volume  
of the cube.



3 ft.



Find the total volume of  
the rectangular prisms.

## Volume of Rectahgular Prisms

Name:

1.	2.	3.
4.	5.	6.
7.	8.	9.
10.	11.	12.
13.	14.	15.
16.	17.	18.
19.	20.	

## Volume of Rectahgular Prisms

Name:

1.	2.	3.
4.	5.	6.
7.	8.	9.
10.	11.	12.
13.	14.	15.
16.	17.	18.
19.	20.	